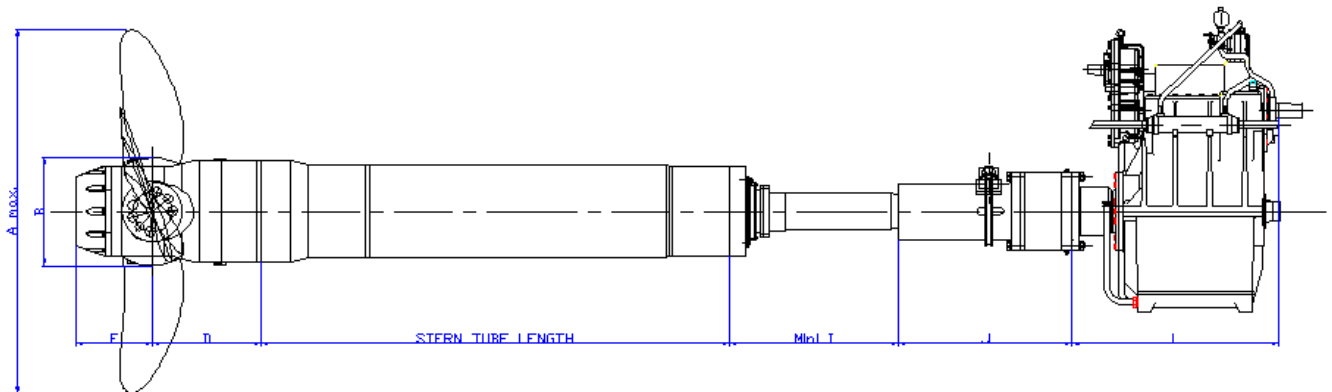




CPP MAIN DIMENSION AND CHARACTERISTICS

GEAR BOX	CPP	P/n
type	type	(kw/rpm)
on request	MM 300	0.6
on request	MM 430	1.3
W3450 up to W5200	MM 480	2.5
W5200 up to W7400	MM 520	4.5
W12000 up to W18000	MM 640	7.5
W12000 up to W20000	MM 720	11
W20000	MM 780	15
W33000	MM 860	22
W44000	MM 960	29.5
W66000	MM 1070	42
* P/n ratio = Engine power KW / propeller RPM		



CPP Size	P/n (kw/rpm)	Shaft Ø Maxi	ØA Maxi	B	D Maxi	E	I Mini	J Maxi	L
MM 300	0,6	100	1350	300	392	108	250	610	on request
MM 430	1,3	132	1850	432	518	303	300	633	on request
MM 480	2,5	160	2160	480	547	369	350	747	902
MM 520	4,5	190	2340	520	587	360	380	873	856
MM 640	7,5	230	2880	640	664	460	400	1042	1368,5
MM 720	11	255	3240	720	780	550	450	1160	1485,5
MM 780	15	285	3600	780	780	550	500	1245	1485,5
MM 860	22	325	3930	860	942	761	500	1339	2101,5
MM 960	29,5		4385	960					
MM 1070	42		4890	1070					