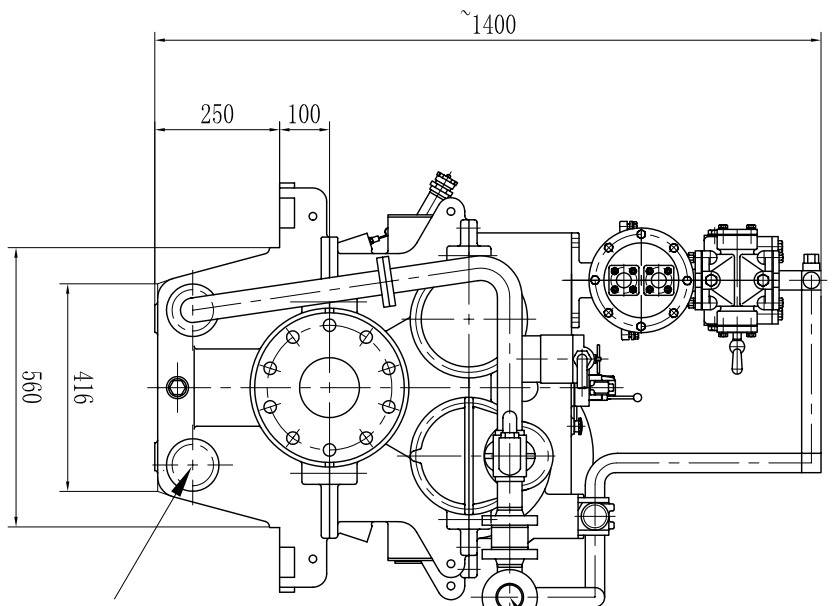


Connection dimensions for in-and-outlet of cooler (with blind flange)



To standby pump, seamless steel tube of  $\phi 42 \times 2$  is suggested to use in connection with electric standby pump

Oil suction inlet of electric standby pump (2CY-7.5/2.5D) with no-hole flange,  $\phi 42 \times 2$  seamless steel tube recommended

Outside View of Marine Gearbox Model 1 GWC28.30

To the product designs, we reserve the right of amendment and explanation