

MM W6400

Vertical offset, direct or remote mount marine transmission.

Maximum rated input: 1260 KW

Available for Continuous Duty applications.

➤ **Description**

- Robust design also withstands continuous duty in workboat applications.
- Fully works tested, reliable and simple to install.
- Design, manufacture and quality control standards comply with ISO 9001.
- Reverse reduction marine transmission with hydraulically actuated multi-disc clutches.
- Easy onboard maintenance.
- Compatible with all types of engines and propulsion systems. (Both FPP and Cpp application).

➤ **Features**

- Case hardened and precisely ground gear teeth for long life and smooth running.
- Output shaft thrust bearing designed to take maximum propeller thrust astern and ahead.
- Smooth and reliable hydraulic shifting with control lever for attachment of push-pull cable or other operating system.
- Suitable for twin engine installations (same ratio and torque capacity in ahead or astern mode)
- Emergency “get home” capability.
- Robust cast iron casing.
- Free standing.
- Oil cooler complete with fittings and flexible hoses.
- Integrated brackets.

➤ **Options**

- Engine-matched torsional coupling.
- Propeller shaft flange and coupling bolt sets.
- Classification by all major Classification Societies on request.
- SAE 0 or SAE 00 bell housing
- PTO (live or clutchable).
- Trolling valve for slow-speed drive.
- Shaft brake.
- Standby oil pump.
- Electric clutch control (24 VDC).

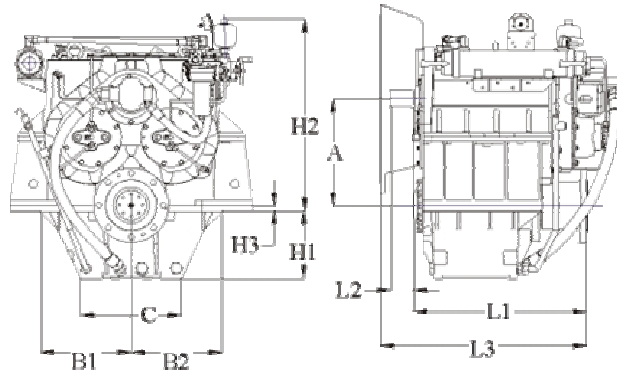
MM W6400

➤ Continuous Duty

Ratios	kW /rpm	Sample Power Capacities (kW)			Max. rpm
		1200 rpm	1600 rpm	1800rpm	
6,170	0,603	724	965	1085	2100
6,462	0,576	691	922	1037	2100
7,098	0,523	628	837	941	2100
7,446	0,497	596	795	895	2100

*Ratings homologated with BV certification.

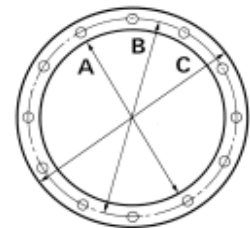
Dimensions



mm (inches)									
A	B ₁	B ₂	C	H ₁	H ₂	L ₁	L ₂	L ₃	Bell Hsg
500	424	424	470	315	900	807	130	960	0 or 00
Weight kg					Oil Capacity Litres				
2000					57				

➤ SAE Bell Housing Dimensions

SAE No.	A	B	C	Bolt Holes	
	mm	mm	mm	No.	Diameter mm
00	787.4	850.9	882.65	16	13.49
0	647.7	649.45	711.2	16	13.49



➤ Output Coupling Dimensions

A	B	C	D	Bolt Holes	
				No.	Diameter (E) mm
mm	mm	mm	mm		
390	336	250	40.0	10	31.0

