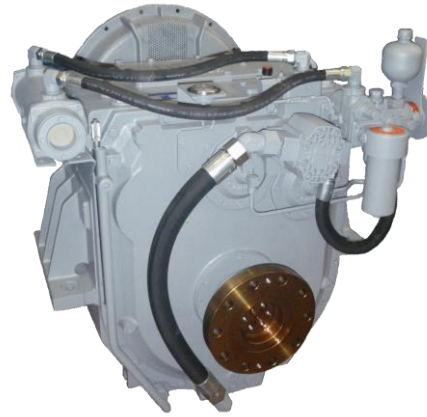




MASSON MARINE SAS

5, rue Henri Cavallier
 89100 St Denis Les Sens – France
 +33 3 86 95 62 00
www.masson-marine.com

MM W3300

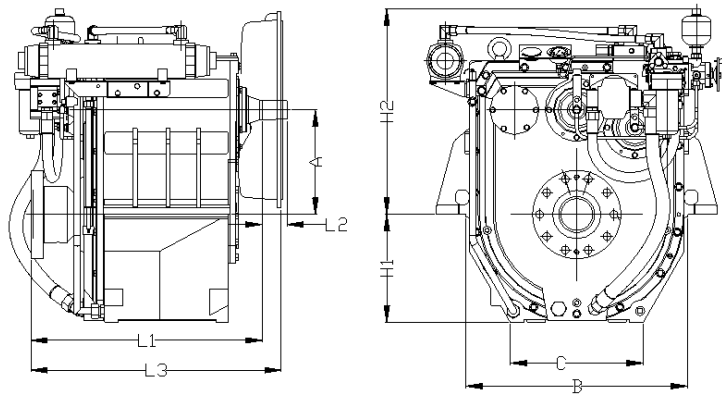


*Vertical offset, direct or remote mount transmission
 Maximum rated input: 651kW (873bhp)
 Available for Continuous Duty applications*

Ratings

| Ratios | kW/rpm | Sample Power Capacities in kW | | | Max rpm |
|--------|--------|-------------------------------|----------|----------|---------|
| | | 1200 rpm | 1600 rpm | 1800 rpm | |
| 6.444 | 0.296 | 355 | 474 | 533 | 2200 |
| 6.556 | 0.280 | 336 | 448 | 504 | 2200 |
| 6.941 | 0.259 | 311 | 414 | 466 | 2200 |

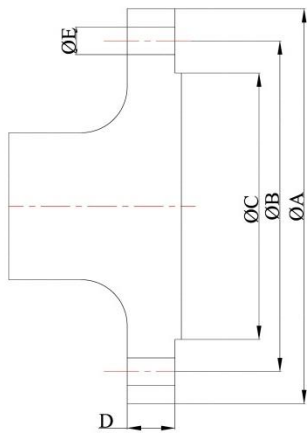
Dimensions



| mm | | | | | | | | |
|-----------|-----|-----|---------------------|----------------|----------------|----------------|----------------|----------|
| A | B | C | H ₁ | H ₂ | L ₁ | L ₂ | L ₃ | Bell Hsg |
| 386 | 804 | 484 | 390 | 746 | 839 | 90 | 908 | 0 or 1 |
| Weight kg | | | Oil Capacity Litres | | | | | |
| 1260 kg | | | 63 L | | | | | |

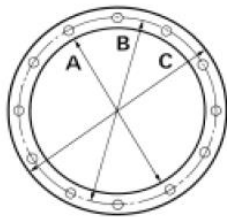


Output Coupling Dimensions



| A | B | C | D | Bolt Holes | |
|-----|-----|-----|----|------------|--------------------|
| | | | | No. | Diameter (E) mm |
| mm | mm | mm | mm | | |
| 320 | 270 | 175 | 43 | 10 | 27.5 |

SAE Bell Housing Dimensions



| SAE N° | A | B | C | Bolt Holes | |
|--------|--------|--------|--------|------------|----------------|
| | | | | No. | Diameter mm |
| | mm | mm | mm | | |
| 0 | 647.7 | 679.45 | 711.20 | 16 | 13.49 |
| 1 | 511.18 | 530.23 | 552.45 | 12 | 11.91 |

Options

- Engine-matched torsional coupling.
- Propeller shaft flange and coupling bolt sets.
- Classification by all major Classification Societies on request.
- PTO (live or clutchable).
- Trolling valve for slow-speed drive.
- Electric clutch control (24 VDC).