



MASSON MARINE SAS

5, rue Henri Cavallier
89100 St Denis Les Sens – France
+33 3 86 95 62 00
www.masson-marine.com

MM W7200



Vertical offset

*Direct or remote mount marine transmission
Maximum rated input: 1 726kW (2 310bhp)
Available for Continuous Duty applications*

Description

- Robust design also withstands continuous duty in workboat applications.
- Fully works tested, reliable and simple to install.
- Design, manufacture and quality control standards comply with ISO 9001.
- Reverse reduction marine transmission with hydraulically actuated multi-disc clutches.
- Easy onboard maintenance.
- Compatible with all types of engines and propulsion systems (Both CPP & FPP).

Features

- Case hardened and precisely ground gear teeth for long life and smooth running.
- Output shaft thrust bearing designed to take maximum propeller thrust astern and ahead.
- Smooth and reliable hydraulic shifting with control lever for attachment of push-pull cable or other operating system.
- Suitable for twin engine installations (same ratio and torque capacity in ahead or astern mode)
- Emergency “get home” capability.
- Robust cast iron casing.
- Free standing.
- Oil cooler complete with fittings and flexible hoses.
- Integrated brackets.

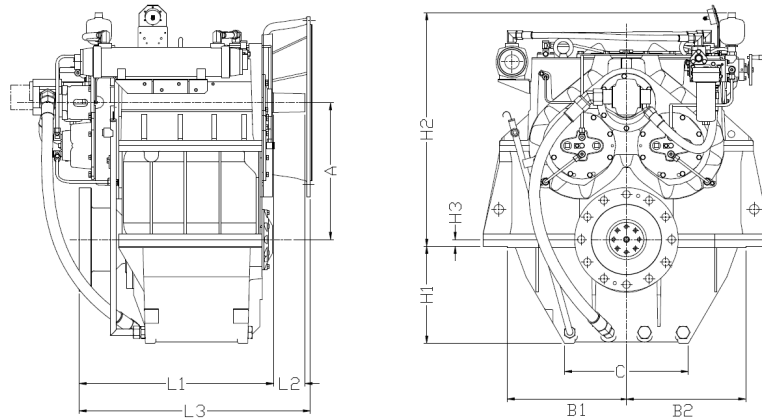
Options

- Engine-matched torsional coupling.
- Propeller shaft flange and coupling bolt sets.
- Classification by all major Classification Societies on request.
- SAE 0 & 00 bell housing.
- PTO (live or clutchable).
- Trolling valve for slow-speed drive.
- Shaft brake.
- Standby oil pump.
- Electric clutch control (24VDC)

Ratings

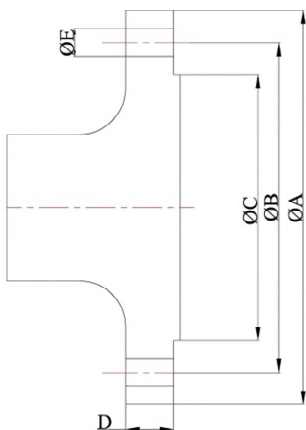
Ratios	kW/rpm	Sample Power Capacities			Max rpm
		1200 rpm	1600 rpm	1800 rpm	
3.296	0.869	1043	1390	1564	1850
3.781	0.869	1043	1390	1564	1850
3.951	0.848	1018	1357	1523	1950
4.128	0.863	1036	1381	1553	2000
4.314	0.811	973	1298	1460	2100
4.508	0.785	942	1256	1413	2100
4.925	0.735	882	1176	1323	2100
5.281	0.699	839	1118	1258	2100
5.633	0.654	785	1046	1177	2100

Dimensions



mm (inches)								
A	B ₁	B ₂	C	H ₁	H ₂	L ₁	L ₂	L ₃
500	424	424	470	315	900	807	130	960
Weight kg						Oil Capacity Litres		
2000						57		

Output Coupling Dimensions



A	B	C	D	Bolt Holes	
				No.	Diameter (E) mm
mm	mm	mm	mm		
390	336	250	40.0	10	31.0