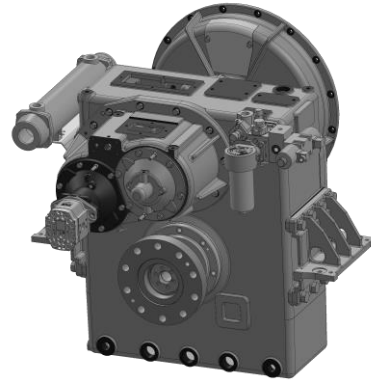




**MASSON MARINE SAS**

5, rue Henri Cavallier  
 89100 St Denis Les Sens – France  
 +33 3 86 95 62 00  
[www.masson-marine.com](http://www.masson-marine.com)

**MM W2900**

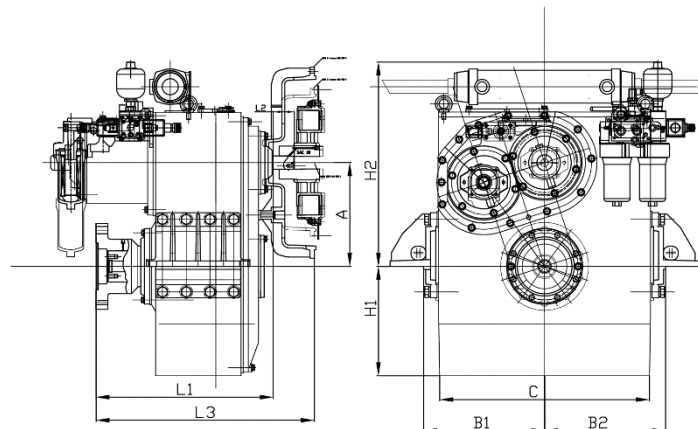


*Vertical offset, direct or remote mount transmission  
 Maximum rated input: 680kW (910bhp)  
 Available for Continuous Duty applications*

**Ratings**

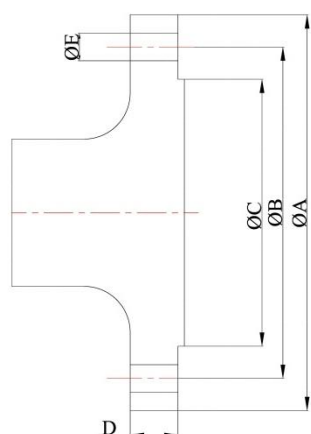
Ratios	kW/rpm	Sample Power Capacities in kW			Max rpm
		1200 rpm	1600 rpm	1800 rpm	
2.488	0.310	372	496	558	2200
2.947	0.310	372	496	558	2200
3.471	0.310	372	496	558	2200
4.067	0.310	372	496	558	2200
4.464	0.310	372	496	558	2200
5.120	0.310	372	496	558	2200
5.417	0.310	372	496	558	2200
6.000	0.310	372	496	558	2200
6.700	0.251	302	402	452	2200

**Dimensions**



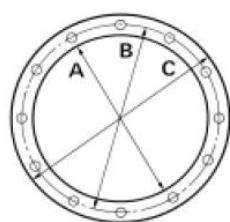
mm									
A	B <sub>1</sub>	B <sub>2</sub>	C	H <sub>1</sub>	H <sub>2</sub>	L <sub>1</sub>	L <sub>2</sub>	L <sub>3</sub>	Bell Hsg
386	450	450	781	408	746	662	78	815	0 or 1
Weight kg				Oil Capacity Litres					
~ 990 kg				40					

## Output Coupling Dimensions



A	B	C	D	Bolt Holes	
				No.	Diameter ( E ) mm
mm	mm	mm	mm		
320	175	130	60	8	37.0

## SAE Bell Housing Dimensions



SAE N°	A	B	C	Bolt Holes	
				No.	Diameter mm
	mm	mm	mm		
0	647.7	679.45	711.20	16	13.49
1	511.18	530.23	552.45	12	11.91

## Options

- Engine-matched torsional coupling.
- Propeller shaft flange and coupling bolt sets.
- Classification by all major Classification Societies on request.
- PTO (live or clutchable).
- Trolling valve for slow-speed drive.
- Electric clutch control (24 VDC).