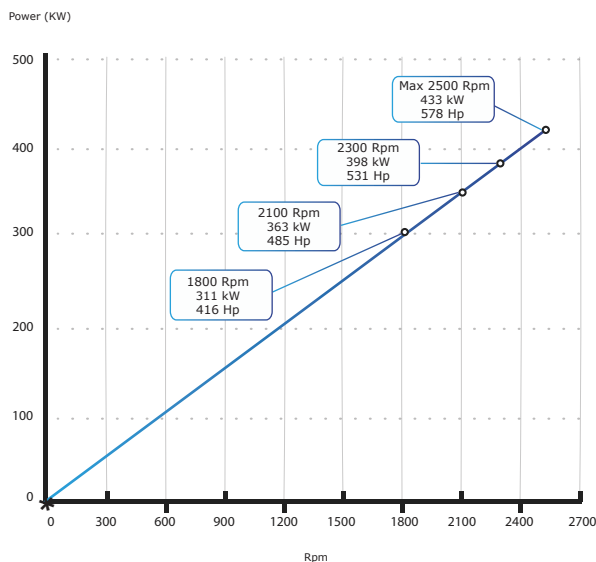


Performances ML 173

→ P/n=0.172 (Kw/RPM)



Model		ML 173
Power/RPM	Kw/RPM (Hp/RPM)	0.172 (0.231)
Maximum rated input	Kw (Hp)	430 (578)
Ratio		1.83, 2.09, 2.51, 3.08, 3.43
Maximum Input RPM		2500
Dry Weight (kg)		287
SAE bell		#1, #2
Offset type		Vertical

Description

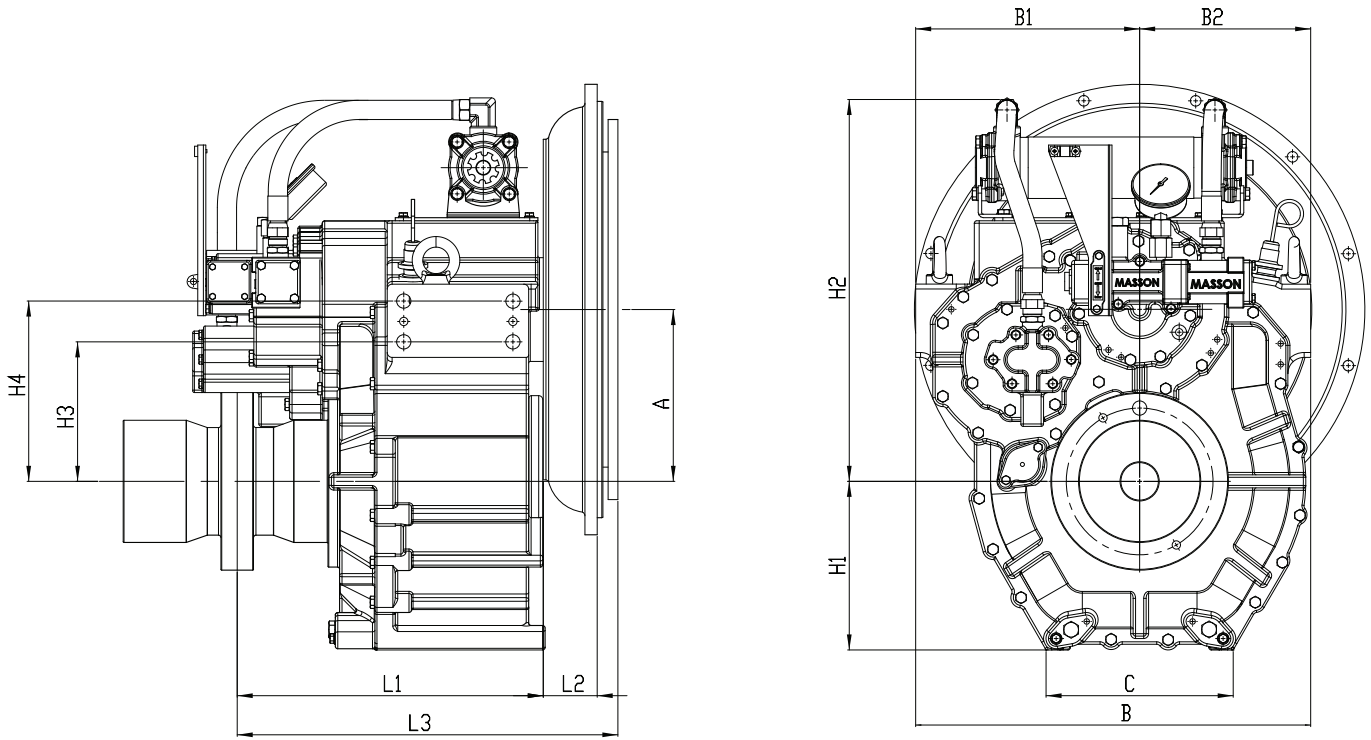
- Robust design and easy onboard maintenance.
- Withstands various applications: pleasure, light, medium and continuous duty.
- Fully works tested, reliable and simple to install.
- Reverse reduction marine transmission with hydraulically actuated multi-disc clutches.
- Case hardened and precisely ground gear teeth for long life and smooth running.
- Robust cast iron casing for direct or remote mounting.
- Emergency "get home" capability.
- Design, manufacture and quality control standards comply with ISO.
- Suitable for twin installation with 100% rated power in ahead and astern condition.

Standard Equipment

- Dual stage input coupling.
- Propeller shaft flange and coupling bolt sets.
- Oil cooler complete with fittings and flexible hoses.
- Control cable bracket and Clamp parts for connection of the push-pull cable.
- Mounting brackets (Plate Type for welding).
- Standard Input Rubber.

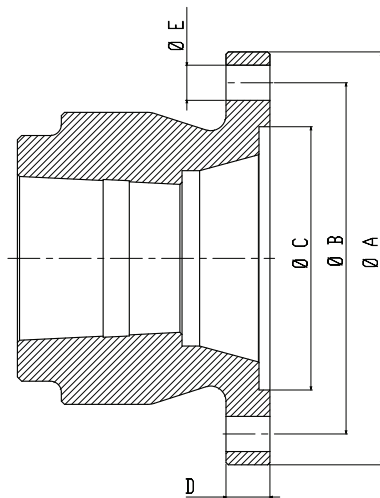
Option

- Engine-matched torsional coupling.
- Trolling valve for slow-speed drive.
- D-Trolling valve.
- Mounting brackets (L Shape).
- Electric shifting valve.



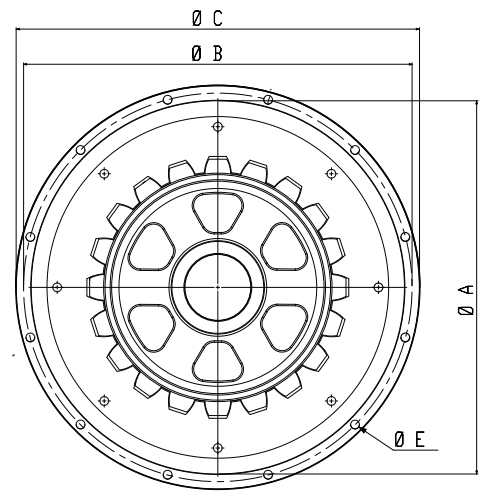
Model	A	B	B1	B2	C	H1	H2	H3	H4	L1	Weight kg (lb)
ML 173	211	416	275	210	218	217	486	171.25	221.25	378	287(632)

All dimensions in mm.



Output Coupling dimension

A	B	C	D	Bolt Holes	
				No.	Diameter (E)
218	180	140	20	6	20



SAE Bell Housing Dimension

SAE N°	DRIVING RING	A	B	C	L2	L3	Bolt Holes	
							No.	Diameter (E)
#1	14"	511.12	530.22	552.5	64	467.4	13	12
#2	11.5"	447.6	466.72	489	46	463.3	12	11

Masson Marine products are available all over the world through our Network dealers



www.masson-marine.com

contact@masson-marine.com
5 rue Henri Cavallier
89100 Saint Denis les Sens - France

