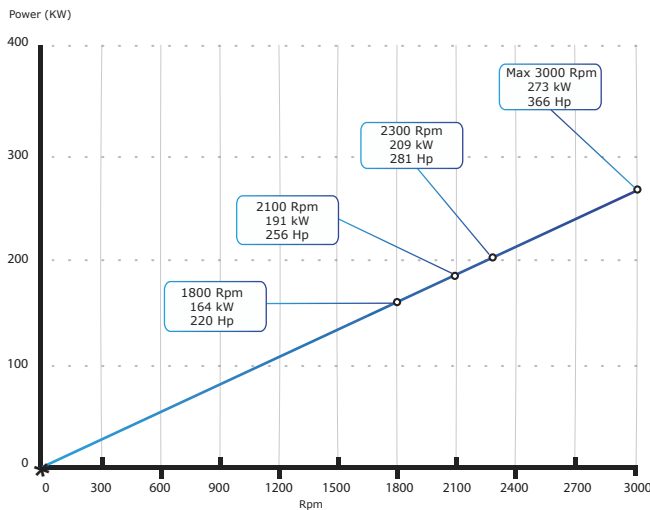


Performances ML 96
 → P/n=0.091 (Kw/RPM)



Model		ML 96
Power/RPM	Kw/RPM (Hp/RPM)	0.091 (0.122)
Maximum rated input	Kw (Hp)	273 (366)
Ratio		4.07, 4.50, 4.95
Maximum Input RPM		3000
Dry Weight (kg)		263
SAE bell		#1, #2, #3
Offset type		Vertical

Description

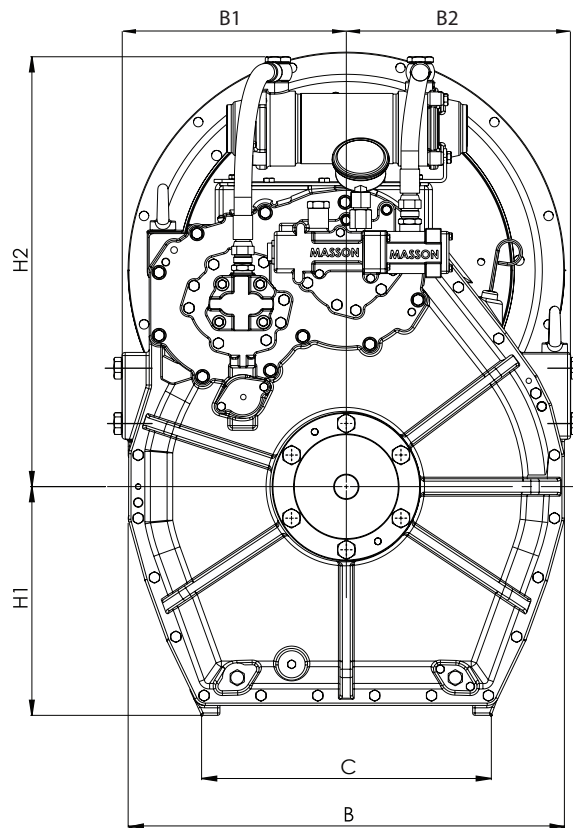
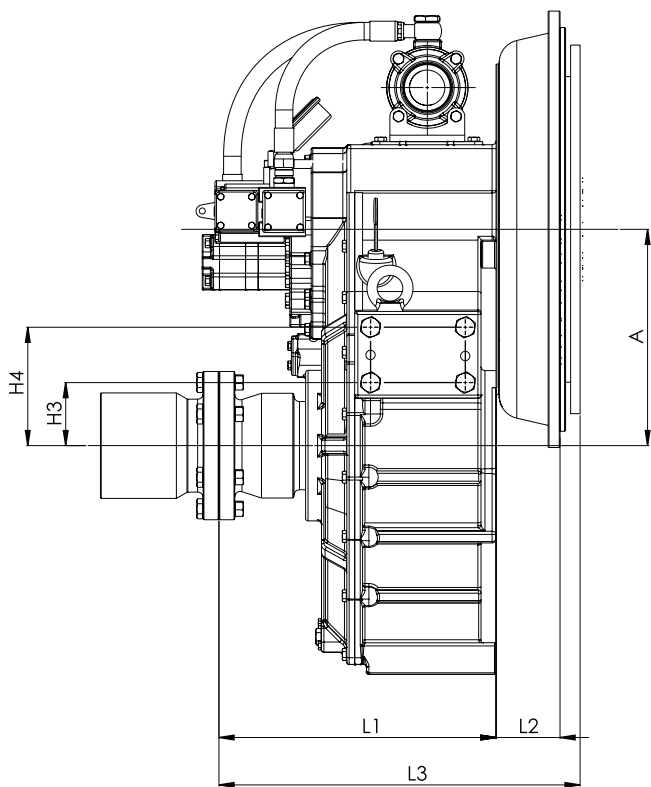
- Robust design and easy onboard maintenance.
- Withstands various applications: pleasure, light, medium and continuous duty.
- Fully works tested, reliable and simple to install.
- Reverse reduction marine transmission with hydraulically actuated multi-disc clutches.
- Case hardened and precisely ground gear teeth for long life and smooth running.
- Robust cast iron casing for direct or remote mounting.
- Emergency "get home" capability.
- Design, manufacture and quality control standards comply with ISO.
- Suitable for twin installation with 100% rated power in ahead and astern condition.

Standard Equipment

- Dual stage input coupling.
- Propeller shaft flange and coupling bolt sets.
- Oil cooler complete with fittings and flexible hoses.
- Control cable bracket and Clamp parts for connection of the push-pull cable.
- Mounting brackets (Plate Type for welding).
- Standard Input Rubber.

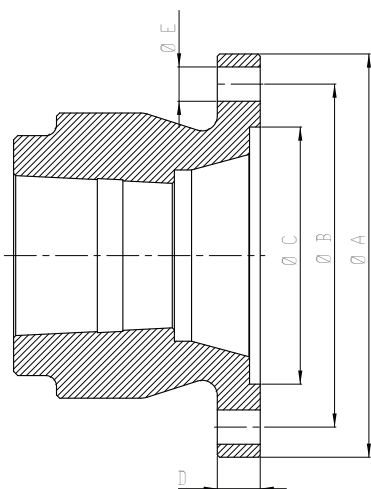
Option

- Engine-matched torsional coupling.
- Trolling valve for slow-speed drive.
- D-Trolling valve.
- Mounting brackets (L Shape).
- Electric shifting valve.



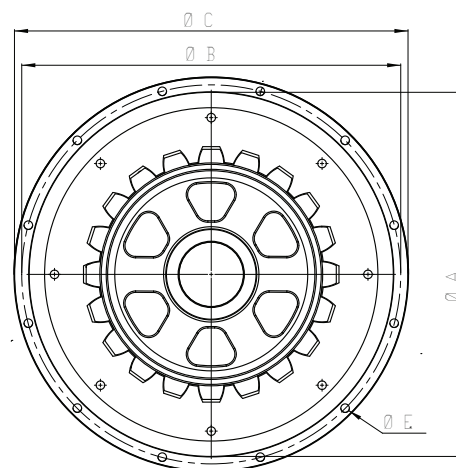
Model	A	B	B1	B2	C	H1	H2	H3	H4	L1	L2	L3	Weight kg (lb)
ML 96	274	552	284	284	370	289	528	80	150	351	81	457	263(579)

All dimensions in mm.



Output Coupling dimension

A	B	C	D	Bolt Holes	
				No.	Diameter (E)
188	160	120	20	6	16



SAE Bell Housing Dimension

SAE N°	DRIVING RING	A	B	C	L2	L3	Bolt Holes	
							No.	Diameter (E)
#1	14"	511.12	530.22	552.5	81	457.4	12	12
#2	11.5"	447.6	466.72	489	44.5	435.1	12	11
#3	11.5"	409.5	428.62	451	44.5	435.1	12	11

Masson Marine products are available all over the world through our Network dealers



www.masson-marine.com

contact@masson-marine.com

5 rue Henri Cavallier
89100 Saint Denis les Sens - France

