



MASSON MARINE SAS

5, rue Henri Cavallier

89100 St Denis Les Sens – France

+33 3 86 95 62 00

www.masson-marine.com

MM W4000/W4000NR



Co-axial, remote mount marine transmission

Maximum rated input: 918kW (1 230bhp)

Available for Continuous Duty applications

Description

- Robust design also withstands continuous duty in workboat applications.
- Fully works tested, reliable and simple to install.
- Design, manufacture and quality control standards comply with ISO 9001.
- Reverse/non-reverse reduction marine transmission with hydraulically actuated multi-disc clutches.
- Easy onboard maintenance.
- Compatible with all types of engines and propulsion systems. (Compatible for FPP)

Features

- Case hardened and precisely ground gear teeth for long life and smooth running.
- Output shaft thrust bearing designed to take maximum propeller thrust astern and ahead.
- Smooth and reliable hydraulic shifting with control lever for attachment of push-pull cable or other operating system.
- Suitable for twin engine installations (same ratio and torque capacity in ahead or astern mode)
- Emergency “get home” capability.
- Robust cast iron casing.
- Free standing.
- Oil cooler complete with fittings and flexible hoses.
- Integrated brackets.

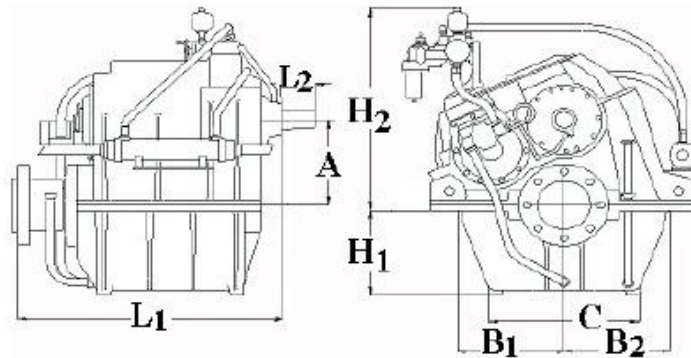
Options

- Engine-matched torsional coupling.
- Propeller shaft flange and coupling bolt sets.
- Classification by all major Classification Societies on request.
- PTO (live or clutchable).
- Trolling valve for slow-speed drive.
- Shaft brake.
- Electric clutch control (24 VDC).

Ratings

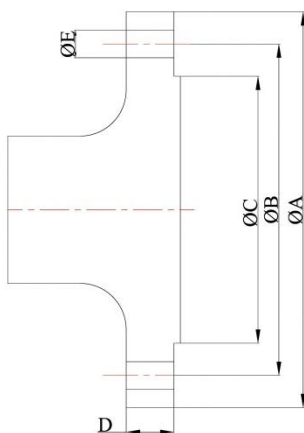
Ratios	kW/rpm	Sample Power Capacities			Max rpm
		700 rpm	1000 rpm	1800 rpm	
1.268	0.510	357	510	918	1800
1.501	0.510	357	510	918	1800
2.017	0.510	357	510	918	1800
2.661	0.510	357	510	918	1800
3.076	0.510	357	510	918	1800

Dimensions



mm							
A	B ₁	B ₂	C	H ₁	H ₂	L ₁	L ₂
386.8	380	380	410	477	541.7	658.5	105
Weight kg				Oil Capacity Litres			
1180				25			

Output Coupling Dimensions



A	B	C	D	Bolt Holes	
				No.	Diameter (E) mm
mm	mm	mm	mm		
310	260	200	40	8	25