



MM W20000

Vertical offset, remote mount marine transmission.

Maximum rated input: 4200 KW

Available for Continuous Duty applications.

➤ **Description**

- Robust design also withstands continuous duty in workboat applications.
- Fully works tested, reliable and simple to install.
- Design, manufacture and quality control standards comply with ISO 9001.
- Reverse reduction marine transmission with hydraulically actuated multi-disc clutches.
- Easy onboard maintenance.
- Compatible with all types of engines and propulsion systems. (Both FPP and CPP applications)

➤ **Features**

- Case hardened and precisely ground gear teeth for long life and smooth running.
- Output shaft thrust bearing designed to take maximum propeller thrust astern and ahead.
- Smooth and reliable hydraulic shifting with control lever for attachment of push-pull cable or other operating system.
- Suitable for twin engine installations (same ratio and torque capacity in ahead or astern mode)
- Emergency “get home” capability.
- Robust cast iron casing.
- Free standing.
- Oil cooler complete with fittings and flexible hoses.
- Integrated brackets.

➤ **Options**

- Engine-matched torsional coupling.
- Propeller shaft flange and coupling bolt sets.
- Classification by all major Classification Societies on request.
- PTO (live or clutchable).
- Trolling valve for slow-speed drive.
- Shaft brake.
- Electric clutch control (24 VDC).

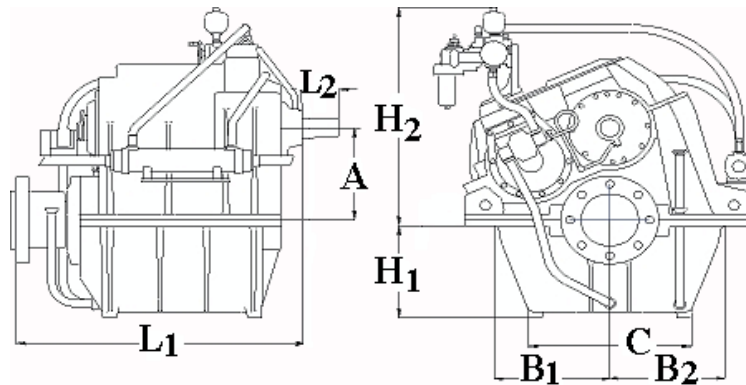
MM W20000

➤ Continuous Duty

Ratios	kW /rpm	Sample Power Capacities (kW)			Max. rpm
		1000 rpm	1200 rpm	1500rpm	
3,214	2,343	2343	2812	3515	1800
3,317	2,343	2343	1812	3515	1800
3,658	2,343	2343	2812	3515	1800
4,364	2,343	2343	2812	3515	1800
4,933	2,343	2343	2812	3515	1800
5,593	2,192	2192	2630	3288	1800
6,179	1,873	1873	2248	2810	1800

*Ratings homologated with BV certification.

Dimensions



mm							
A	B ₁	B ₂	C	H ₁	H ₂	L ₁	L ₂
720	710	710	712	685	1491	1469	163
Weight kg				Oil Capacity Litres			
5800				200			

➤ Output Coupling Dimensions

A	B	C	D	Bolt Holes	
				No.	Diameter (E) mm
mm	mm	mm	mm	12	44.0
550	450	280	50.0		

