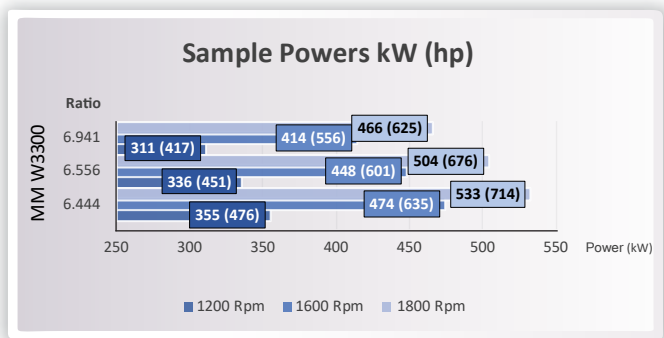


Model W3300						
	Power/RPM	kW/RPM (hp/RPM)	Maximum rated input	kW (hp)	Ratio	Maximum input RPM
W3300	0,296 (0,397)		651 (873)		6,444	2200
	0,280 (0,375)		616 (826)		6,556	
	0,259 (0,347)		570 (764)		6,941	
	Dry weight	kg(lb)	1260 (2780)			
	SAE bell	#0, #1				
	Type	Vertical offset				
	Kinematics	Engine Wise and Counter Engine Wise				

Description

- Robust design and easy onboard maintenance.
- Robust design also withstands continuous duty in workboat, dredger applications.
- Fully works tested, reliable and simple to install.
- Reverse reduction marine transmission with hydraulically actuated multi-disc clutches.
- Case hardened and precisely ground gear teeth for long life and smooth running.
- Robust cast iron casing for direct or remote mounting.
- Emergency "get home" capability.
- Design, manufacture and quality control standards comply with ISO.
- Suitable for twin installation with 100% rated power in ahead and astern condition.

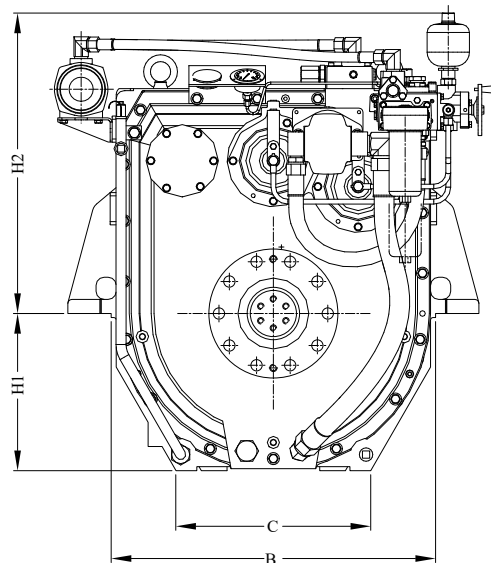
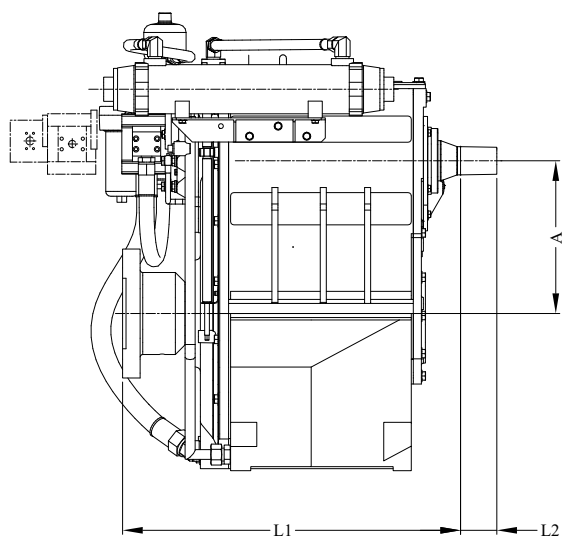
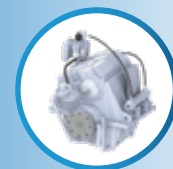


Standard Equipment

- Oil cooler complete with fittings and flexible hoses.
- Integrated Brackets.
- Free Standing.
- Lube Oil Pump.

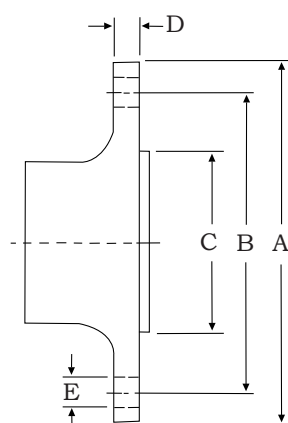
Option

- Engine-matched torsional coupling.
- Propeller shaft flange and coupling bolt set.
- Classification by all major Classification Societies on request.
- PTO (live or clutchable).
- Electric trolling valve for slow-speed drive.
- Shaft brake.
- Electric clutch control.
- Trailing pump.



Model	Bell housing	A	B	C	H1	H2	L1	L2	L3	Dry Weight kg (lb)
W3300	SAE 0,1	379	806	484	390	746	839	90	908	1260 (2780)

All dimensions in mm.



Output Coupling dimension

A		B		C		D		Bolt Holes		
mm	inch	mm	inch	mm	inch	mm	inch	No.	Diameter (E)	
									mm	in
320	21,6	270	10,6	175	6,89	43,5	1,69	10	27,5	1,08

Masson Marine products are available all over the world through our network of dealers



www.masson-marine.com

contact@masson-marine.com

5 rue Henri Cavallier

89100 Saint Denis les Sens - France

