

Model W3700 NR						
	Power/RPM	kW/RPM (hp/RPM)	Maximum rated input	kW (hp)	Ratio	Maximum input RPM
W3700 NR	0,388 (0,520)		854 (1145)		4,077	2200
					4,583	
					4,913	
					5,476	
					5,850	
	Dry weight	kg(lb)	1260 (2780)			
	SAE bell		#0, #1			
	Type		Vertical offset			
	Kinematics		Non Reversible			

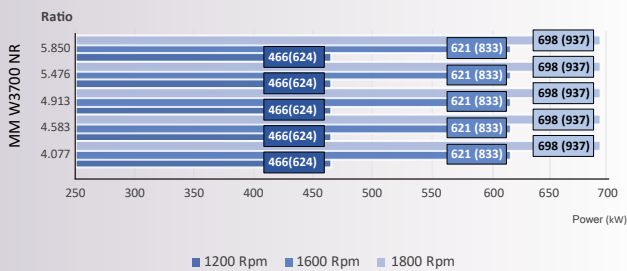
Description

- Robust design and easy onboard maintenance.
- Robust design also withstands continuous duty in workboat, dredger applications.
- Fully works tested, reliable and simple to install.
- Non-reversing reduction marine transmission with hydraulically actuated multi-disc clutches.
- Case hardened and precisely ground gear teeth for long life and smooth running.
- Robust cast iron casing for direct or remote mounting.
- Emergency "get home" capability.
- Design, manufacture and quality control standards comply with ISO.
- Suitable for twin installation with 100% rated power in ahead and astern condition.

Option

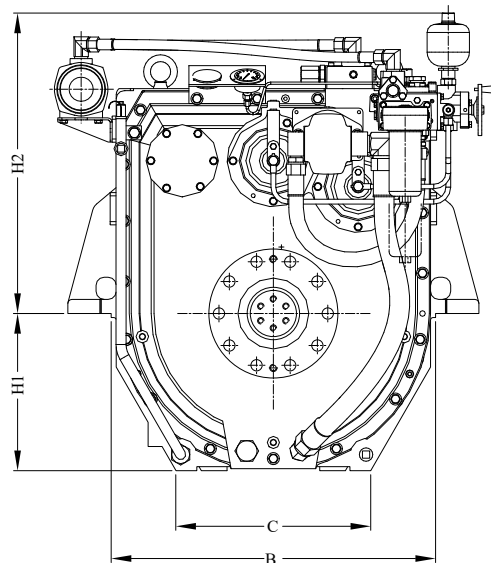
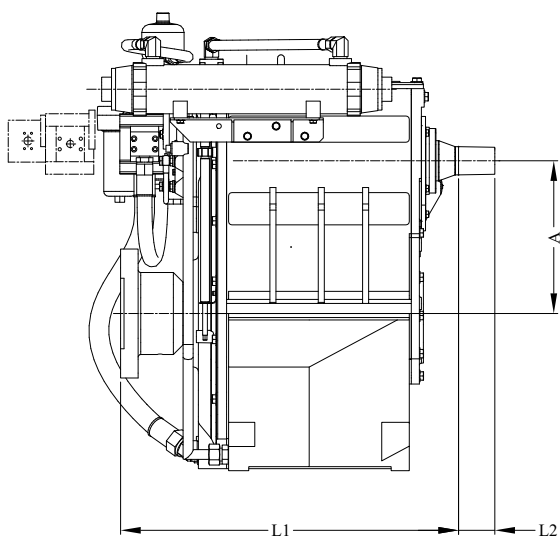
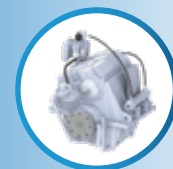
- Engine-matched torsional coupling.
- Propeller shaft flange and coupling bolt set.
- Classification by all major Classification Societies on request.
- PTO (live or clutchable).
- Electric trolling valve for slow-speed drive.
- Shaft brake.
- Electric clutch control.
- Trailing pump.

Sample Powers kW (hp)



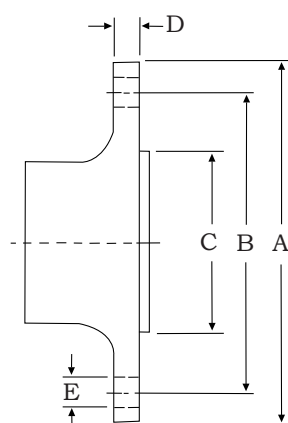
Standard Equipment

- Oil cooler complete with fittings and flexible hoses.
- Integrated Brackets.
- Free Standing.
- Lube Oil Pump.



Model	Bell housing	A	B	C	H1	H2	L1	L2	L3	Dry Weight kg (lb)
W3700 NR	SAE 0,1	379	806	484	390	746	864	90	933	1260 (2780)

All dimensions in mm.



Output Coupling dimension

A		B		C		D		Bolt Holes		
mm	inch	mm	inch	mm	inch	mm	inch	No.	Diameter (E)	
									mm	in
320	12,6	270	10,6	175	6,89	43,5	1,69	10	27,5	1,08

Masson Marine products are available all over the world through our network of dealers



www.masson-marine.com

contact@masson-marine.com

5 rue Henri Cavallier

89100 Saint Denis les Sens - France

