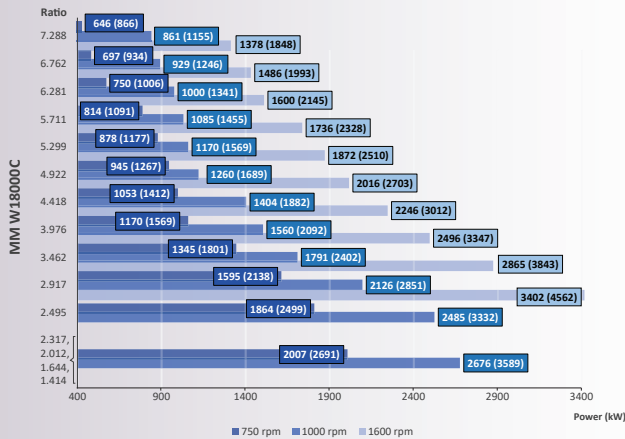


Model		W18000C			
Power/RPM	kW/RPM (hp/RPM)	Maximum rated input	kW (hp)	Ratio	Maximum input RPM
2,676 (3,589)	3762 (5045)			1,414	1406
				1,644	
				2,012	
				2,317	
2,485 (3,332)		3762 (5045)		2,495	1514
2,126 (2,851)		3508 (4704)		2,917	1650
1,791 (2,402)		2955 (3963)		3,462	1900
1,560 (2,092)		2574 (3451)		3,976	
1,404 (1,882)		2316 (3106)		4,418	
1,260 (1,689)		2079 (2788)		4,922	
1,170 (1,569)		1931 (2589)		5,299	
1,085 (1,455)		1790 (2401)		5,711	
1,000 (1,341)		1650 (2213)		6,281	
0,929 (1,246)		1533 (2055)		6,762	
0,861 (1,155)		1421 (1906)		7,288	
Dry weight	kg(lb)	3650 (8050)			
SAE bell		Free standing			
Type		Coaxial			
Kinematics		Non Reversible, Engine Wise and Counter Engine Wise			

Description

- Coaxial version of the W18000 (input shaft and output shaft are coaxial)
- Robust design and easy onboard maintenance.
- Robust design also withstands continuous duty in workboat, dredger applications.
- Fully works tested, reliable and simple to install.
- Reverse reduction marine transmission with hydraulically actuated multi-disc clutches.
- Case hardened and precisely ground gear teeth for long life and smooth running.
- Robust cast iron casing for direct or remote mounting.
- Emergency "get home" capability.
- Design, manufacture and quality control standards comply with ISO.
- Suitable for twin installation with 100% rated power in ahead and astern condition.

Sample Powers (kW/hp)

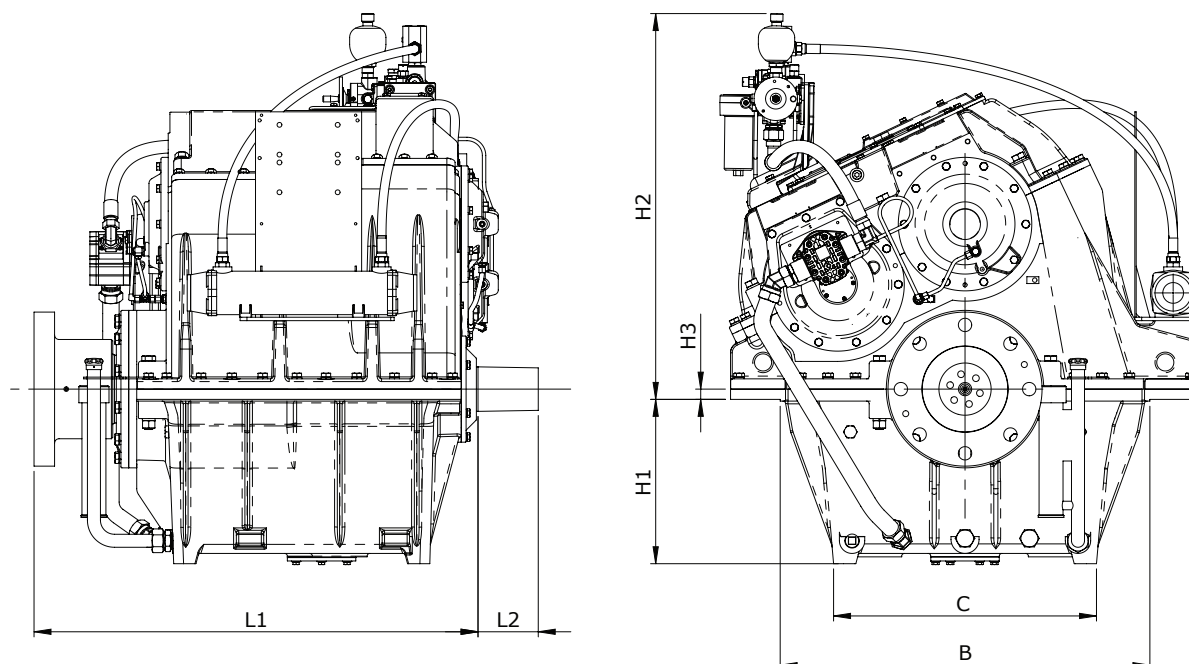


Standard Equipment

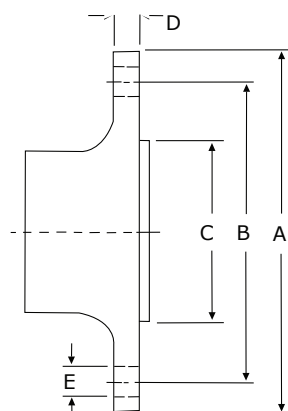
- Oil cooler complete with fittings and flexible hoses.
- Integrated Brackets.
- Free Standing.
- Lube Oil Pump.

Option

- Engine-matched torsional coupling.
- Propeller shaft flange and coupling bolt set.
- Classification by all major Classification Societies on request.
- PTO (live or clutchable).
- Electric trolling valve for slow-speed drive.
- Shaft brake.
- Electric clutch control.



Model	Bell Housing SAE N°	A	B	C	H1	H2	H3	L1	L2	Dry Weight kg(lb)
		Dimensions in mm								
W18000C	Free standing	0	1080	768	480	1143	-30	1297	176	3650 (8050)



Output Coupling dimension										
A		B		C		D		Bolt Holes		
mm	inch	mm	inch	mm	inch	mm	inch	No.	Diameter (E)	
									mm	in
450	17,7	375	14,8	250	9,8	60	2,4	8	39	1,53

Masson Marine products are available all over the world through our network of dealers

Dealer:



 www.masson-marine.com 

contact@masson-marine.com

5 rue Henri Cavallier
89100 Saint Denis les Sens - France