

| Model | | W20500 | | | |
|---------------|-----------------------------------------------------|---------------------|---------|--------|-------------------|
| Power/RPM | kW/RPM (hp/RPM) | Maximum rated input | kW (hp) | Ratio | Maximum input RPM |
| 2,527 (3,389) | | 3766 (5051) | | 2,661 | 1490 |
| | | | | 3,029 | |
| | | | | 3,613 | |
| | | | | 4,085 | |
| 2,127 (2,852) | | 3510 (4706) | | 4,849 | 1650 |
| 1,790 (2,400) | | 2954 (3961) | | 5,757 | |
| 1,729 (2,319) | | 2853 (3826) | | 5,959 | |
| 1,560 (2,092) | | 2574 (3452) | | 6,610 | |
| 1,404 (1,883) | | 2317 (3107) | | 7,345 | |
| 1,260 (1,690) | | 2079 (2788) | | 8,184 | |
| 1,170 (1,569) | | 1931 (2589) | | 8,810 | |
| 1,086 (1,456) | | 1792 (2403) | | 9,496 | |
| 1,170 (1,569) | | 1931 (2589) | | 9,989 | |
| 1,206 (1,617) | | 1990 (2668) | | 10,251 | |
| 1,086 (1,456) | | 1792 (2403) | | 10,767 | |
| 1,120 (1,520) | | 1848 (2478) | | 11,036 | |
| 1,039 (1,393) | | 1714 (2299) | | 11,895 | |
| Dry weight | kg(lb) | 5800 (12790) | | | |
| SAE bell | Free standing | | | | |
| Type | Vertical offset | | | | |
| Kinematics | Non Reversible, Engine Wise and Counter Engine Wise | | | | |

Description

- Robust design and easy onboard maintenance.
- Robust design also withstands continuous duty in workboat, dredger applications.
- Fully works tested, reliable and simple to install.
- Reverse reduction marine transmission with hydraulically actuated multi-disc clutches.
- Case hardened and precisely ground gear teeth for long life and smooth running.
- Robust cast iron casing for direct or remote mounting.
- Emergency "get home" capability.
- Design, manufacture and quality control standards comply with ISO.
- Suitable for twin installation with 100% rated power in ahead and astern condition.

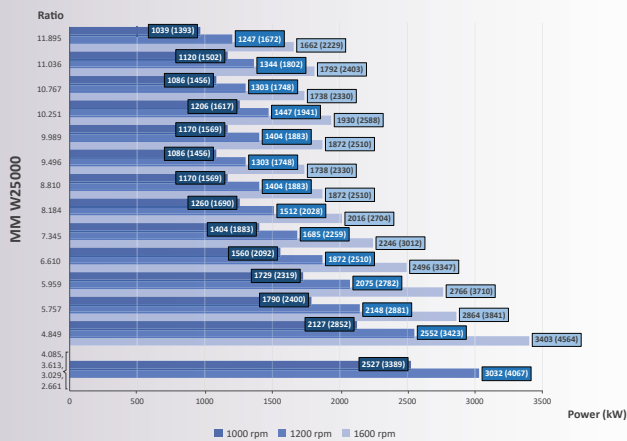
Standard Equipment

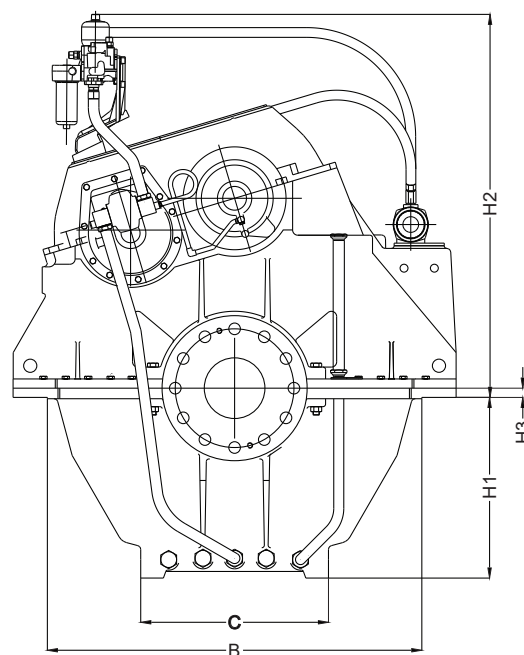
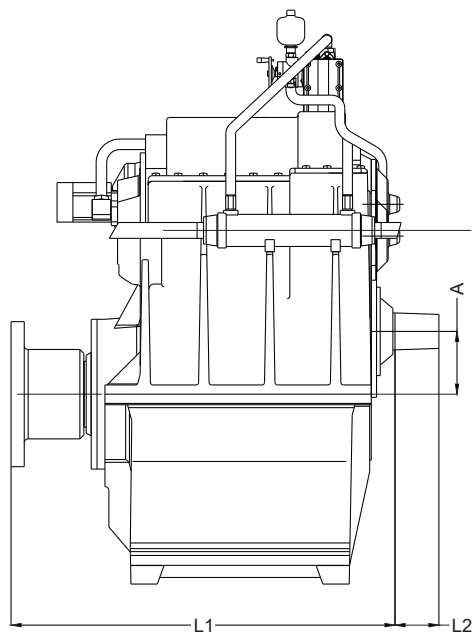
- Oil cooler complete with fittings and flexible hoses.
- Integrated Brackets.
- Free Standing.
- Lube Oil Pump.

Option

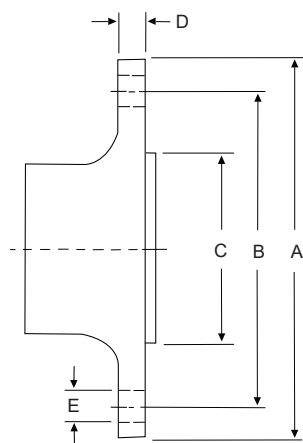
- Engine-matched torsional coupling.
- Propeller shaft flange and coupling bolt set.
- Classification by all major Classification Societies on request.
- PTO (live or clutchable).
- Electric trolling valve for slow-speed drive.
- Shaft brake.
- Electric clutch control.

Sample Powers (kW/hp)





| Model | Bell Housing SAE N ° | A | B | C | H1 | H2 | H3 | L1 | L2 | Dry Weight kg(lb) |
|--------|-------------------------|------------------|------|-----|-----|------|-----|------|-----|----------------------|
| | | Dimensions in mm | | | | | | | | |
| W20500 | Free standing | 238 | 1420 | 712 | 685 | 1491 | -35 | 1456 | 167 | 5800(12790) |



Output Coupling dimension

| A | | B | | C | | D | | Bolt Holes | | |
|-----|------|-----|------|-----|------|------|------|------------|--------------|------|
| mm | inch | mm | inch | mm | inch | mm | inch | No. | Diameter (E) | |
| | | | | | | | | | mm | in |
| 550 | 21,7 | 450 | 17,7 | 280 | 11,0 | 50,0 | 1,97 | 12 | 43,0 | 1,69 |

Masson Marine products are available all over the world through our network of dealers

Dealer:



www.masson-marine.com



contact@masson-marine.com

5 rue Henri Cavallier

89100 Saint Denis les Sens - France

