

Model		W2800Y			
Power/RPM per input	kW/RPM (hp/RPM)	Maximum rated input	kW (hp)	Ratio	Maximum input RPM
0,371 (0,498)		779 (1045)		3,527	2100
				3,903	
0,316 (0,424)		664 (890)		4,130	
				4,138	
0,293 (0,393)		615 (825)		4,571	
				4,579	
0,267 (0,358)		561 (752)		4,757	
				5,264	
0,233 (0,312)		489 (656)		5,602	
				6,199	
0,225 (0,302)		473 (634)		6,353	
				7,031	
0,184 (0,247)		386 (518)		7,284	
				8,060	
Dry weight	kg(lb)	2600 (5733)			
SAE bell		Free standing			
Type		Vertical offset			
Kinematics		Reversible or Non-Reversible (Engine-Wise or Counter-Engine-Wise)			

2021 : Redesign

Twin input/single output gearbox can now be fitted with Power Take Off

- 3 models available : Type 0, Type 1 and Type 2
- Live or clutchable output(s)
- Up to 2 x 4 outputs
- Several ratios available
- Max power : 220 kW / output

Standard Equipment

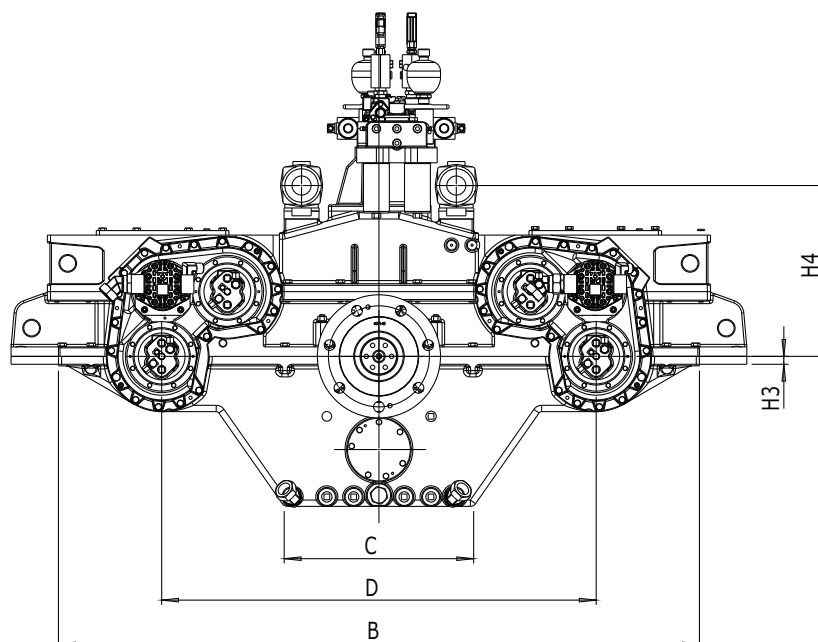
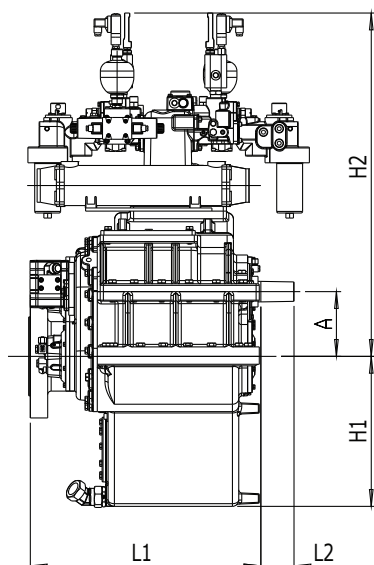
- Oil cooler complete with fittings and flexible hoses.
- Integrated Brackets.
- Free Standing.
- Lube Oil Pump.

Description

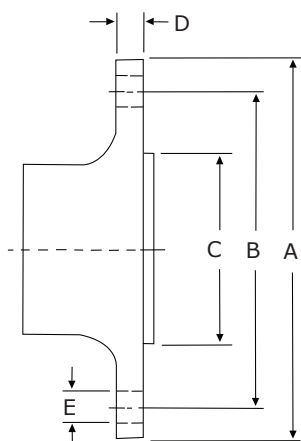
- Robust design and easy onboard maintenance.
- Robust design also withstands continuous duty in workboat, dredger applications.
- Fully works tested, reliable and simple to install.
- Reverse reduction marine transmission with hydraulically actuated multi-disc clutches.
- Case hardened and precisely ground gear teeth for long life and smooth running.
- Robust cast iron casing for direct or remote mounting.
- Emergency "get home" capability.
- Design, manufacture and quality control standards comply with ISO.
- Suitable for twin installation with 100% rated power in ahead and astern condition.

Option

- Engine-matched torsional coupling.
- Propeller shaft flange and coupling bolt set.
- Classification by all major Classification Societies on request.
- PTO (live or clutchable).
- Electric trolling valve for slow-speed drive.
- Shaft brake.
- Electric clutch control.



Model	A	B	C	D	H1	H2	H3	L1	L2	Dry Weight kg (lb)
	Dimensions in mm									
W2800Y	205	2030	600	1370	475	902	25	730	105	2600 (5733)



Output Coupling dimension										
A		B		C		D		Bolt Holes		
mm	inch	mm	inch	mm	inch	mm	inch	No.	Diameter (E)	
									mm	in
390	15,4	320	12,6	250	9,8	55	2,2	7	35	1,4

Masson Marine products are available all over the world through our network of dealers

Dealer:



www.masson-marine.com

contact@masson-marine.com

5 rue Henri Cavallier

89100 Saint Denis les Sens - France