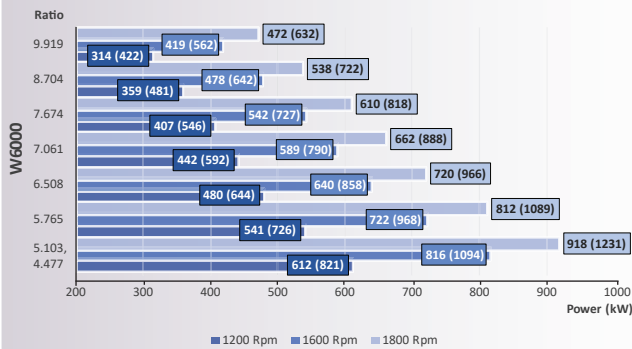


Model		W6000			
Power/RPM	kW/RPM (hp/RPM)	Maximum rated input	kW (hp)	Ratio	Maximum input RPM
0,510 (0,684)		918 (1231)		4,477	1800
				5,103	
0,451 (0,605)		902 (1210)		5,765	2000
0,400 (0,536)		920 (1234)		6,508	2300
0,368 (0,493)		957 (1283)		7,061	2600
0,339 (0,455)		949 (1273)		7,674	2800
0,299 (0,401)		837 (1123)		8,704	
0,262 (0,351)		734 (984)		9,919	
Dry weight	kg (lb)	1790 (3950)			
SAE bell		#0,#00			
Type		Vertical offset			
Kinematics		Reversible or Non-Reversible (Engine-Wise or Counter-Engine-Wise)			

Description

- Robust design and easy onboard maintenance.
- Robust design also withstands continuous duty in workboat, dredger applications.
- Fully works tested, reliable and simple to install.
- Reverse reduction marine transmission with hydraulically actuated multi-disc clutches.
- Case hardened and precisely ground gear teeth for long life and smooth running.
- Robust cast iron casing for direct or remote mounting.
- Emergency "get home" capability.
- Design, manufacture and quality control standards comply with ISO.
- Suitable for twin installation with 100% rated power in ahead and astern condition.

Sample Powers kW (hp)

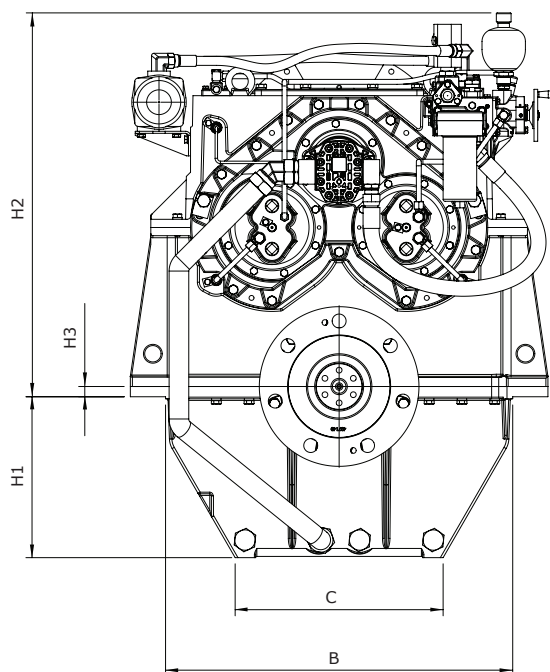
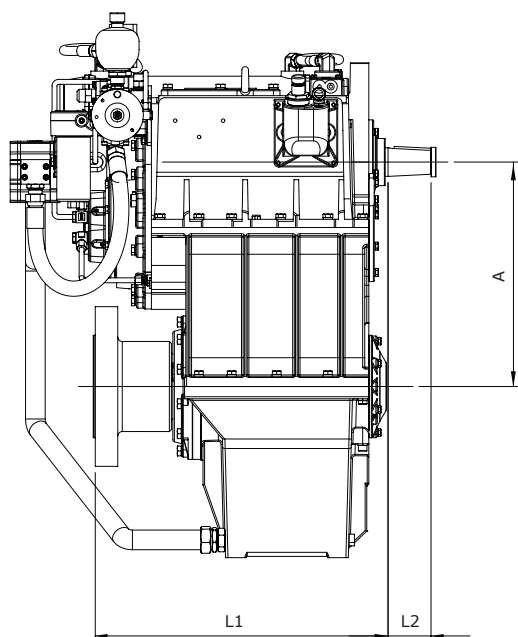


Standard Equipment

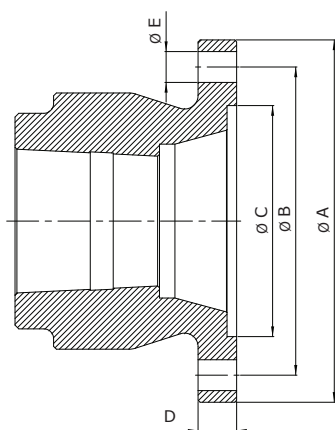
- Oil cooler complete with fittings and flexible hoses.
- Integrated Brackets.
- Free Standing.
- Lube Oil Pump.

Option

- Engine-matched torsional coupling.
- Propeller shaft flange and coupling bolt set.
- Classification by all major Classification Societies on request.
- PTO (live or clutchable).
- Electric trolling valve for slow-speed drive.
- Shaft brake.
- Electric clutch control.



Model	Bell housing	A	B	C	H1	H2	H3	L1	L2	Dry Weight kg (lb)
		Dimensions in mm								
W6000	#0,#00	548	848	508	393	938	25	715	105	1790 (3950)



Output Coupling dimension										
A		B		C		D		Bolt Holes		
mm	inch	mm	inch	mm	inch	mm	inch	No.	Diameter (E)	
									mm	in
390	15,4	320	12,6	250	9,8	55	2,2	7	34	1,33

Masson Marine products are available all over the world through our network of dealers

Dealer:



 www.masson-marine.com 

contact@masson-marine.com
5 rue Henri Cavallier
89100 Saint Denis les Sens - France

