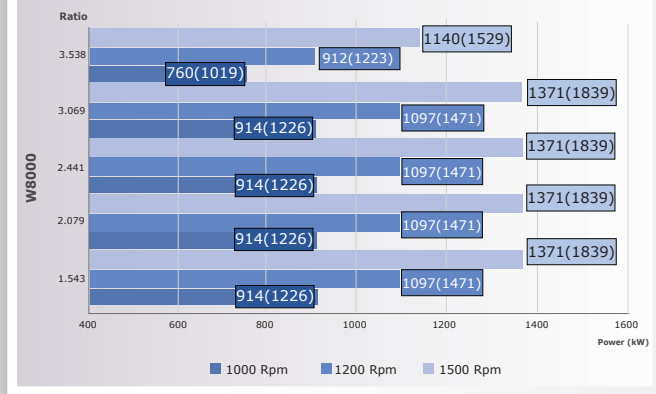


Model		W8000	
Power/RPM	kW/RPM (hp/RPM)	0,914(1,226)	0,760(1,019)
Maximum rated input	kW (hp)	1371(1839)	1140(1529)
Ratio		1,543 ; 2,079 ; 2,441 ; 3,069	3,538
Maximum input RPM		1500	
Dry weight	kg(lb)	1800 (3970)	
SAE bell		Free standing	
Offset type		Vertical offset	
Kinematics		Non Reversible, Engine Wise and Counter Engine Wise	

Description

- Robust design and easy onboard maintenance.
- Robust design also withstands continuous duty in workboat, dredger applications.
- Fully works tested, reliable and simple to install.
- Reverse reduction marine transmission with hydraulically actuated multi-disc clutches.
- Case hardened and precisely ground gear teeth for long life and smooth running.
- Robust cast iron casing for direct or remote mounting.
- Emergency "get home" capability.
- Design, manufacture and quality control standards comply with ISO.
- Suitable for twin installation with 100% rated power in ahead and astern condition.

Sample Powers kW(hp)

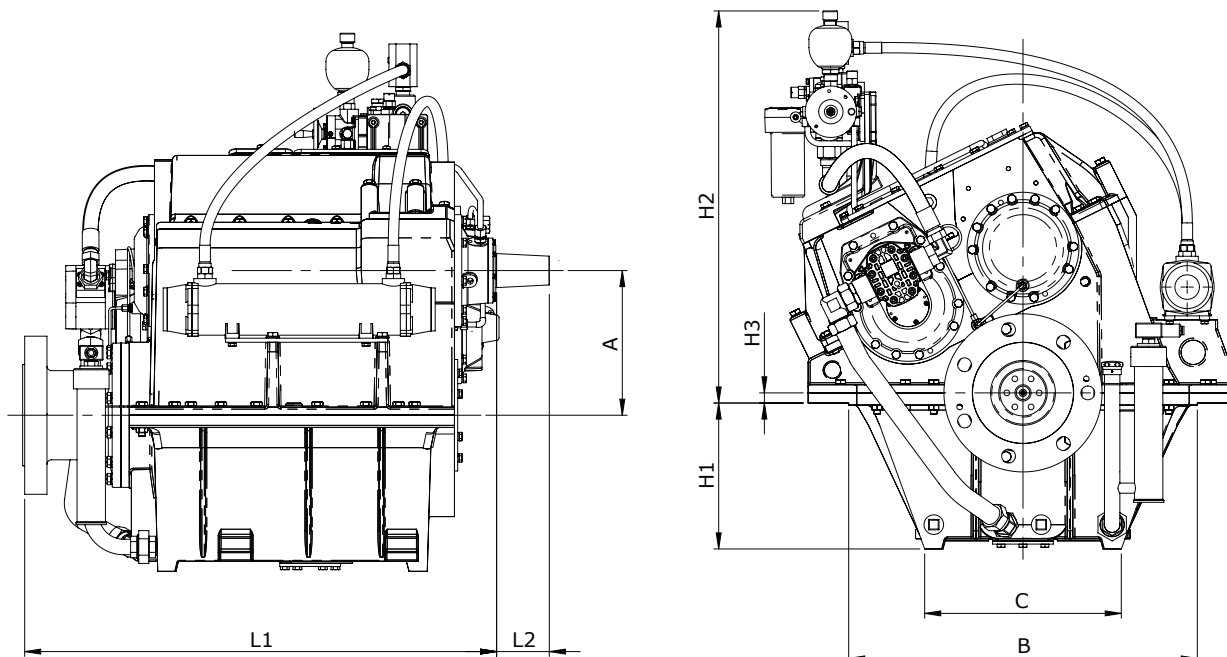


Standard Equipment

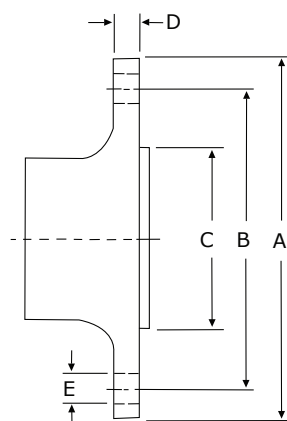
- Oil cooler complete with fittings and flexible hoses.
- Integrated Brackets.
- Free Standing.
- Lube Oil Pump.

Option

- Engine-matched torsional coupling.
- Propeller shaft flange and coupling bolt set.
- Classification by all major Classification Societies on request.
- PTO (live or clutchable).
- Electric trolling valve for slow-speed drive.
- Shaft brake.
- Electric clutch control.



Model	Bell Housing SAE N°	A	B	C	H1	H2	H3	L1	L2	Dry Weight kg(lb)
		Dimensions in mm								
W8000	Free standing	357	860	530	360	960	-25	1164	130	1800 (3970)



Output Coupling dimension										
A		B		C		D		Bolt Holes		
mm	inch	mm	inch	mm	inch	mm	inch	No.	Diameter (E)	
									mm	in
390	15,4	320	12,6	250	9,84	55	2,17	7	34	1,34

Masson Marine products are available all over the world through our network of dealers

Dealer:



www.masson-marine.com



contact@masson-marine.com

5 rue Henri Cavallier

89100 Saint Denis les Sens - France

