



MASSON MARINE SAS

5, rue Henri Cavallier

89100 St Denis Les Sens – France

+33 3 86 95 62 00

www.masson-marine.com

MM W1950



*Maximum rated input: 588kW (788bhp)
Available for Continuous Duty applications*

Description

- Robust design also withstands continuous duty in workboat applications.
- Fully works tested, reliable and simple to install.
- Design, manufacture and quality control standards comply with ISO 9001.
- Reverse/non-reverse reduction marine transmission with hydraulically actuated multi-disc clutches.
- Easy onboard maintenance.
- Compatible with all types of engines and propulsion systems. (Compatible for FPP)

Features

- Case hardened and precisely ground gear teeth for long life and smooth running.
- Output shaft thrust bearing designed to take maximum propeller thrust astern and ahead.
- Smooth and reliable hydraulic shifting with control lever for attachment of push-pull cable or other operating system.
- Suitable for twin engine installations (same ratio and torque capacity in ahead or astern mode)
- Emergency “get home” capability.
- Robust cast iron casing.
- Free standing.
- Oil cooler complete with fittings and flexible hoses.
- Integrated brackets.

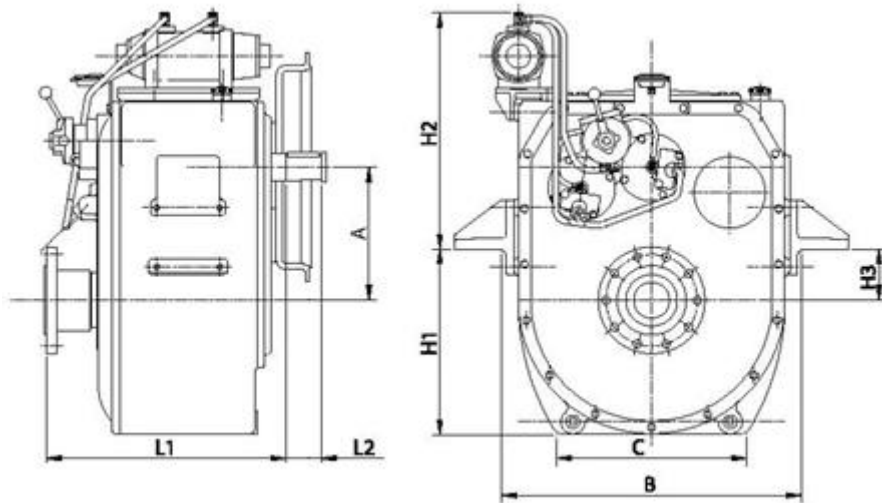
Options

- Engine-matched torsional coupling.
- Propeller shaft flange and coupling bolt sets.
- Classification by all major Classification Societies on request.
- PTO (live or clutchable).
- Trolling valve for slow-speed drive.
- Shaft brake.
- Electric clutch control (24 VDC).

Ratings

Ratios	kW/rpm	Sample Power Capacities (kW)			Max rpm
		1800 rpm	2100 rpm	2300 rpm	
4.103	0.210	378	441	483	2800
4.481	0.210	378	441	483	2800
4.920	0.210	378	441	483	2800
5.727	0.210	378	441	483	2800
6.400	0.193	347	405	444	2800
7.222	0.172	310	361	396	2800
7.706	0.157	283	330	361	2800

Dimensions



mm							
A	B	C	H1	H2	H3	L1	L2
338	760	430	340	755	0	607	90
Weight kg							
720							