



MASSON MARINE SAS

5, rue Henri Cavallier

89100 St Denis Les Sens – France

+33 3 86 95 62 00

www.masson-marine.com

MM W20200 NR



*Co-axial, remote mount marine transmission
Maximum rated input: 3 246kW (4 351bhp)
Available for Continuous Duty applications*

Description

- Robust design also withstands continuous duty in workboat applications.
- Fully works tested, reliable and simple to install.
- Design, manufacture and quality control standards comply with ISO 9001.
- Reverse reduction marine transmission with hydraulically actuated multi-disc clutches.
- Easy onboard maintenance.
- Compatible with all types of engines and propulsion systems. (Compatible for FPP)

Features

- Case hardened and precisely ground gear teeth for long life and smooth running.
- Output shaft thrust bearing designed to take maximum propeller thrust astern and ahead.
- Smooth and reliable hydraulic shifting with control lever for attachment of push-pull cable or other operating system.
- Suitable for twin engine installations (same ratio and torque capacity in ahead or astern mode)
- Emergency “get home” capability.
- Robust cast iron casing.
- Free standing.
- Oil cooler complete with fittings and flexible hoses.
- Integrated brackets.

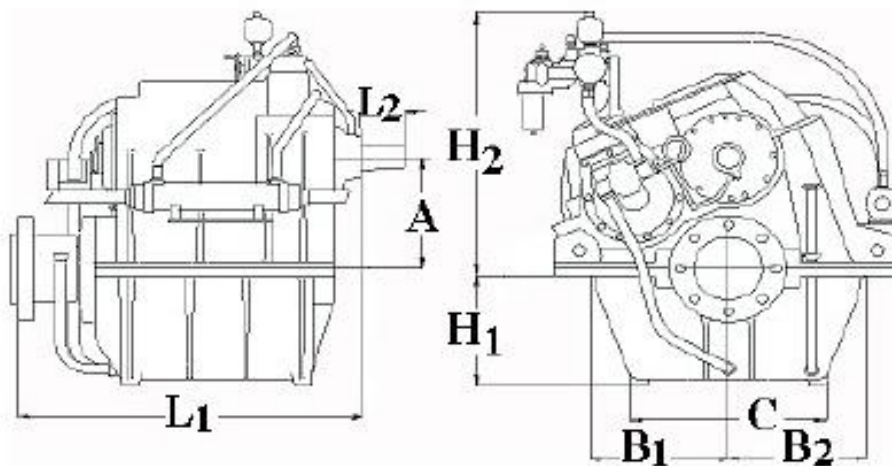
Options

- Engine-matched torsional coupling.
- Propeller shaft flange and coupling bolt sets.
- Classification by all major Classification Societies on request.
- PTO (live or clutchable).
- Trolling valve for slow-speed drive.
- Shaft brake.
- Electric clutch control (24 VDC).

Ratings

Ratio	kW/rpm	Sample Power Capacities			Max rpm
		1000 rpm	1200 rpm	1800 rpm	
3.512	2.124	2124	2549	-	1280
4.126	1.997	1997	2396	-	1500
5.032	1.803	1803	2164	3245	1800
5.899	1.626	1626	1951	2927	1800
6.654	1.486	1486	1783	2675	1800
7.217	1.390	1390	1668	2502	1800
7.843	1.301	1301	1561	2342	1800

Dimensions



mm (inches)						
A	B1 + B2	C	H1	H2	L1	L2
720	1420	712	685	1491	1479	163
Weight kg			Oil Capacity Litres			
5700			200			